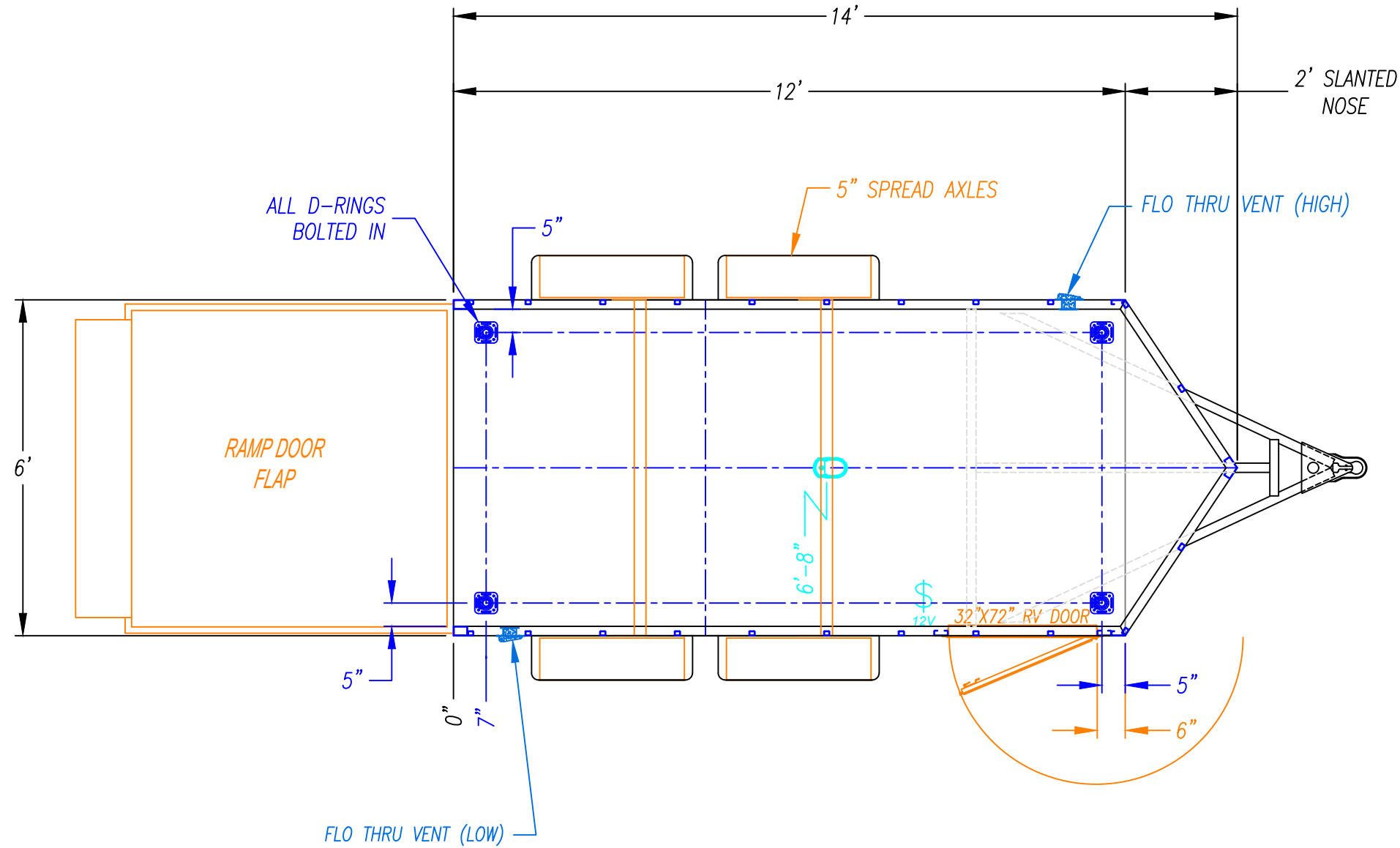


NOTES:
-

REVISIONS		
REV	DESCRIPTION	DATE



12V Dome Light	STEREO	110V Switch	Motorbase Plug	E-Track
12V Switch	3-Way 12V Switch	Interior Recept	Electrical Box	Swivel D-Ring
Clearance Lights	Stereo Speaker	3-Way Switch	50 AMP Electrical Box	HD D-Ring
Backup Light	Air Inlet/Outlet	GFI Recept	100 AMP Electrical Box	Rope Tie

NOTE: DRAWINGS ARE FOR GRAPHICAL REPRESENTATION ONLY. DIMENSIONS ARE APPROXIMATE & MAY VARY DURING CONSTRUCTION. UNITED TRAILERS LLC. IS NOT RESPONSIBLE FOR ANY CODE COMPLIANCE AND OR PERMITS, INCLUDING ELECTRICAL AND PLUMBING REQUIREMENTS. DEALER IS RESPONSIBLE FOR FINAL LAYOUT AND USE REQUIREMENTS.

CUSTOMER APPROVAL: _____ DATE: _____
 DEALER APPROVAL: _____ DATE: _____



DEALER - UJ		ORDER NO.	
DRAWN BY - AC	CUSTOMER - UNITED TRAILERS	WIDTH - 6'	TITLE - FLOOR LAYOUT
DATE - 06/24/24	SHEET NO. - 1 OF 1	HEADROOM - 6.5'	SCALE - 3/8" = 1'
MODEL - UJ-612TA35	SERIAL NO.		