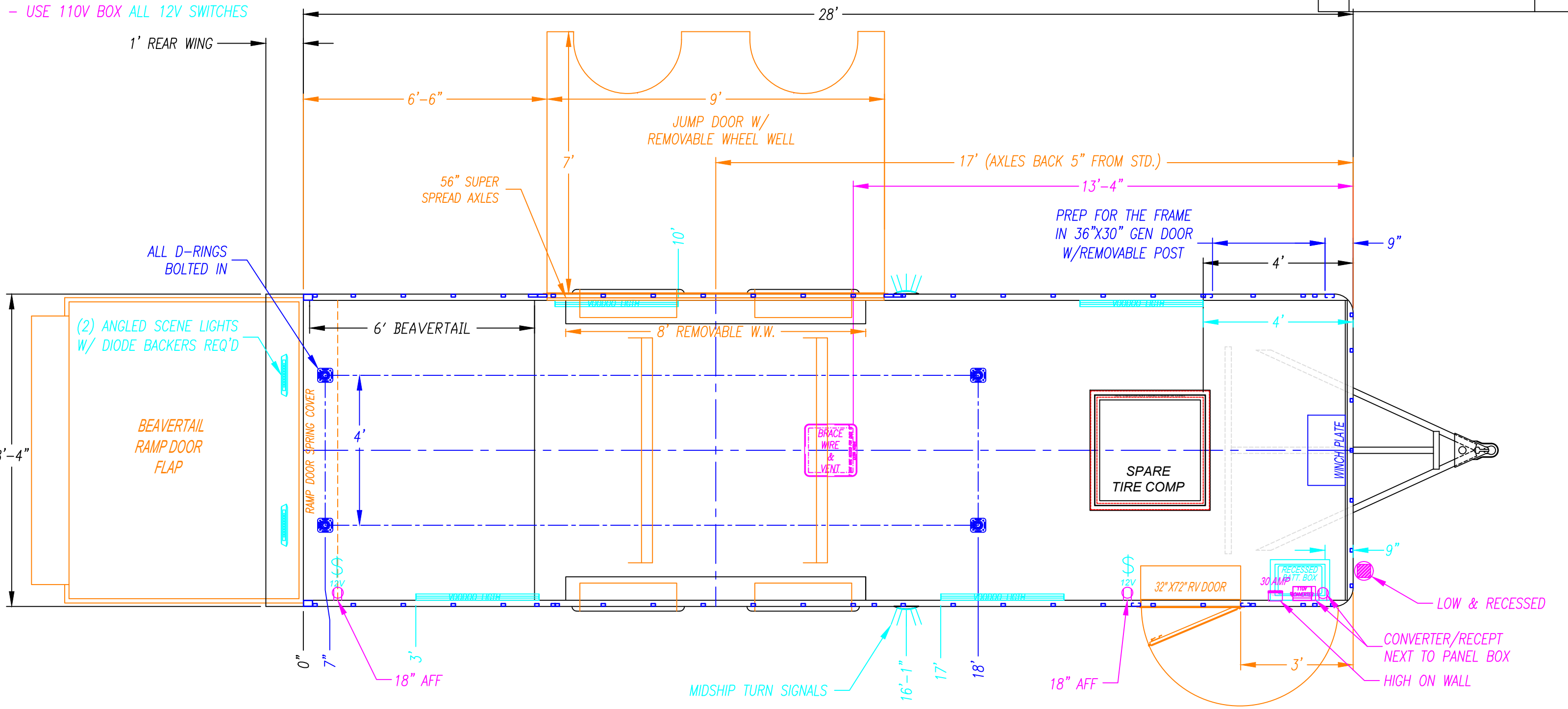


REVISIONS		
REV	DESCRIPTION	DATE

NOTES:
 - BOX OFF SIDEWALLS
 - USE 110V BOX ALL 12V SWITCHES



12V Dome Light	STEREO	110V Switch	Motorbase Plug	E-Track
12V Switch	3-Way 12V Switch	Interior Recept	Electrical Box	Swivel D-Ring
Clearance Lights	Stereo Speaker	3-Way Switch	50 AMP Electrical Box	HD D-Ring
Backup Light	Air Inlet/Outlet	GFI Recept	100 AMP Electrical Box	Rope Tie

NOTE: DRAWINGS ARE FOR GRAPHICAL REPRESENTATION ONLY. DIMENSIONS ARE APPROXIMATE & MAY VARY DURING CONSTRUCTION.

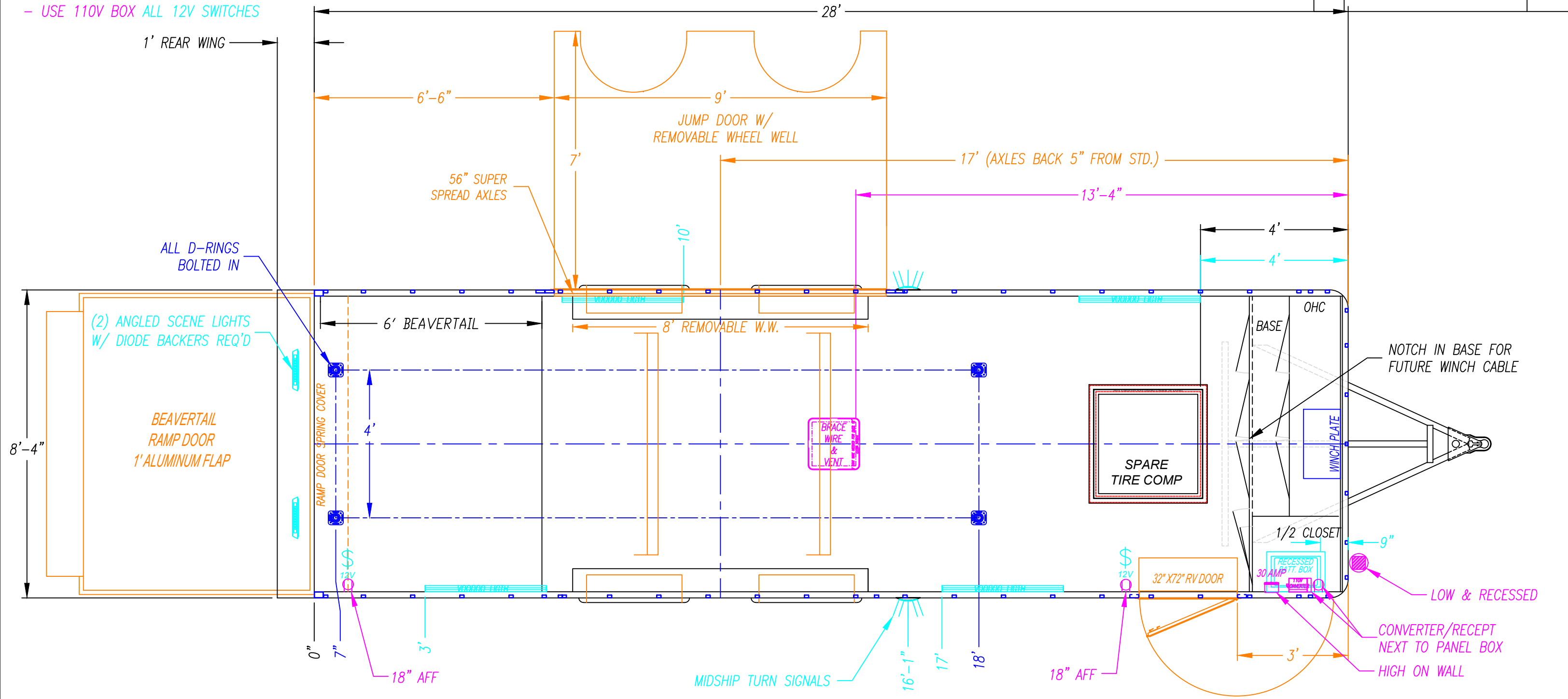
CUSTOMER APPROVAL: _____ DATE: _____
 DEALER APPROVAL: _____ DATE: _____



DEALER - LIMITED		ORDER NO. STOCK	
DRAWN BY - AC	CUSTOMER - UNITED TRAILERS	WIDTH - 8.5'	TITLE - FLOOR LAYOUT
DATE - 06/20/24	SHEET NO. - 1 OF 1	HEADROOM - 7'	SCALE - 3/8" = 1'
MODEL - LIM-8.528TA52	SERIAL NO.		

REVISIONS		
REV	DESCRIPTION	DATE

NOTES:
 - BOX OFF SIDEWALLS
 - USE 110V BOX ALL 12V SWITCHES



12V Dome Light	STEREO	110V Switch	Motorbase Plug	E-Track
12V Switch	3-Way 12V Switch	Interior Recept	Electrical Box	Swivel D-Ring
Clearance Lights	Stereo Speaker	3-Way Switch	50 AMP Electrical Box	HD D-Ring
Backup Light	Air Inlet/Outlet	GFI Recept	100 AMP Electrical Box	Rope Tie

NOTE: DRAWINGS ARE FOR GRAPHICAL REPRESENTATION ONLY. DIMENSIONS ARE APPROXIMATE & MAY VARY DURING CONSTRUCTION.

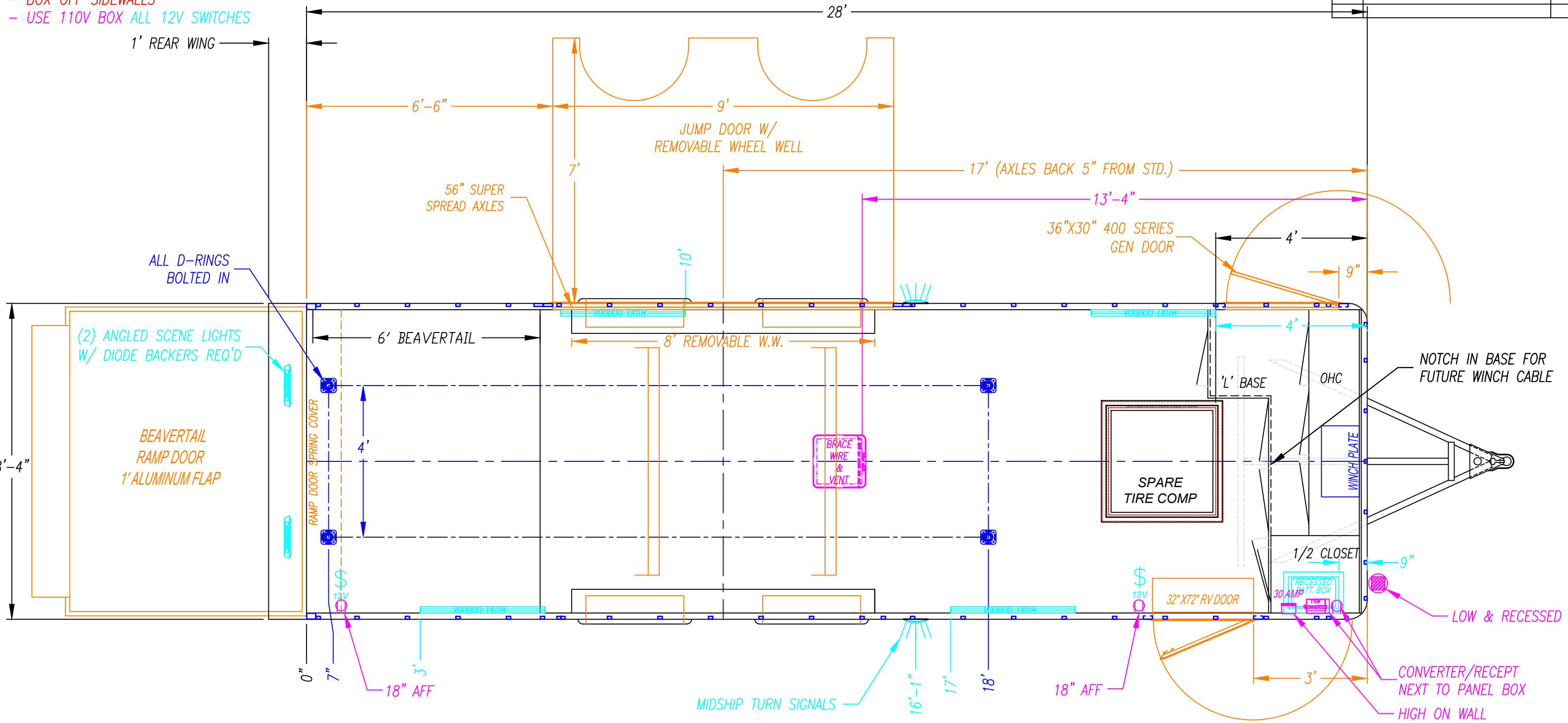
CUSTOMER APPROVAL: _____ DATE: _____
 DEALER APPROVAL: _____ DATE: _____



DEALER - LIMITED		ORDER NO. STOCK	
DRAWN BY - AC	CUSTOMER - UNITED TRAILERS	WIDTH - 8.5'	TITLE - FLOOR LAYOUT
DATE - 06/20/24	SHEET NO. - 1 OF 1	HEADROOM - 7'	SCALE - 3/8" = 1'
MODEL - LIM-8.528TA52	SERIAL NO.		

REVISIONS		
REV	DESCRIPTION	DATE

NOTES:
 - BOX OFF SIDEWALLS
 - USE 110V BOX ALL 12V SWITCHES



12V Dome Light	110V Switch	Motorbase Plug	E-Track
12V Switch	3-Way 12V Switch	Interior Recept	Electrical Box
Clearance Lights	Stereo Speaker	3-Way Switch	50 AMP Electrical Box
Backup Light	Air Inlet/Outlet	GFI Recept	100 AMP Electrical Box
		Swivel D-Ring	HD D-Ring
		Rope Tie	

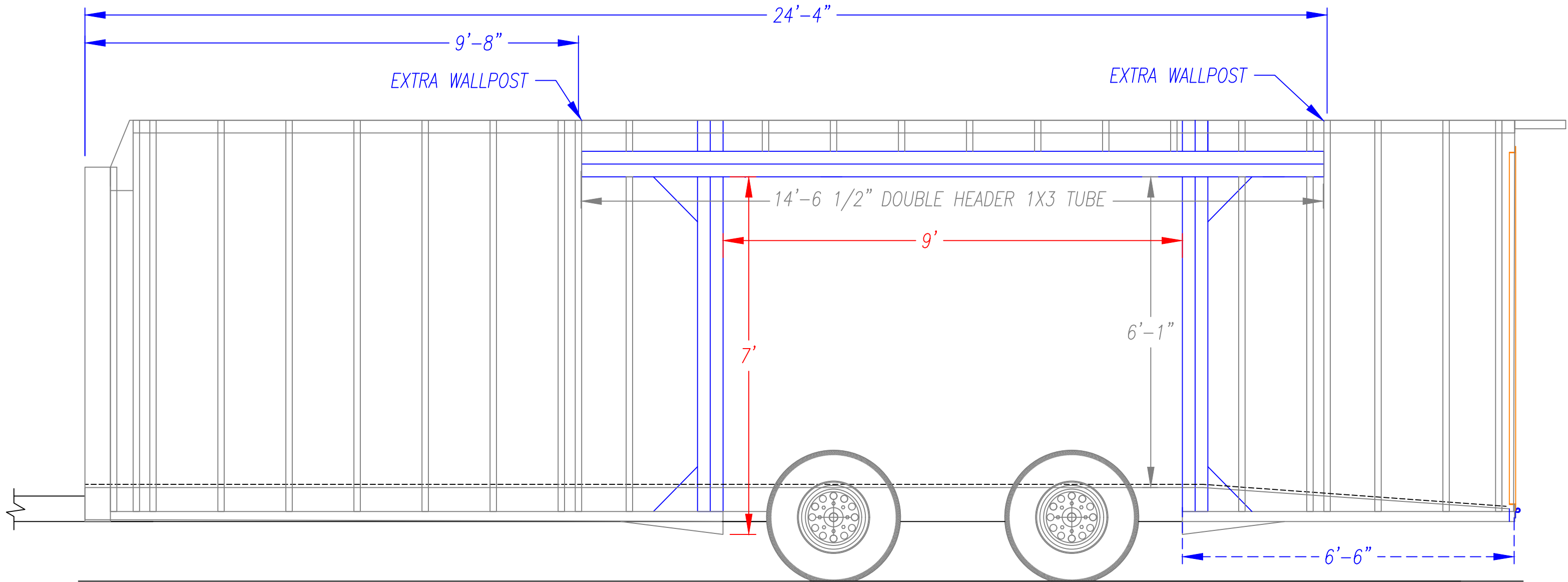
NOTE: DRAWINGS ARE FOR GRAPHICAL REPRESENTATION ONLY. DIMENSIONS ARE APPROXIMATE & MAY VARY DURING CONSTRUCTION.

CUSTOMER APPROVAL: _____ DATE: _____
 DEALER APPROVAL: _____ DATE: _____



DEALER - LIMITED		ORDER NO. STOCK	
DRAWN BY - AC	CUSTOMER - UNITED TRAILERS	WIDTH - 8.5'	TITLE - FLOOR LAYOUT
DATE - 06/20/24	SHEET NO. - 1 OF 1	HEADROOM - 7'	SCALE - 3/8" = 1'
MODEL - LIM-8.528TA52	SERIAL NO.		

FRAME SIDE VIEW
JUMP DOOR FOCUSED



12V Dome Light	12V Switch	110V Switch	Motorbase Plug	E-Track
Clearance Lights	3-Way 12V Switch	Interior Recept	Electrical Box	Swivel D-Ring
Backup Light	Stereo Speaker	3-Way Switch	150 AMP Electrical Box	HD D-Ring
Air Inlet/Outlet		GFI Recept	Electrical Box	Rope Tie

NOTE: DRAWINGS ARE FOR GRAPHICAL REPRESENTATION ONLY. DIMENSIONS ARE APPROXIMATE & MAY VARY DURING CONSTRUCTION.

CUSTOMER APPROVAL: _____ DATE: _____

DEALER APPROVAL: _____ DATE: _____



DEALER - LIMITED		ORDER NO. STOCK	
DRAWN BY - AC	CUSTOMER - UNITED TRAILERS	WIDTH - 8.5'	TITLE - FLOOR LAYOUT
DATE - 06/20/24	SHEET NO. - 1 OF 1	HEADROOM - 7'	SCALE (11X17) - 3/8" = 1'
MODEL - LIM-8.528TA52		SERIAL NO.	