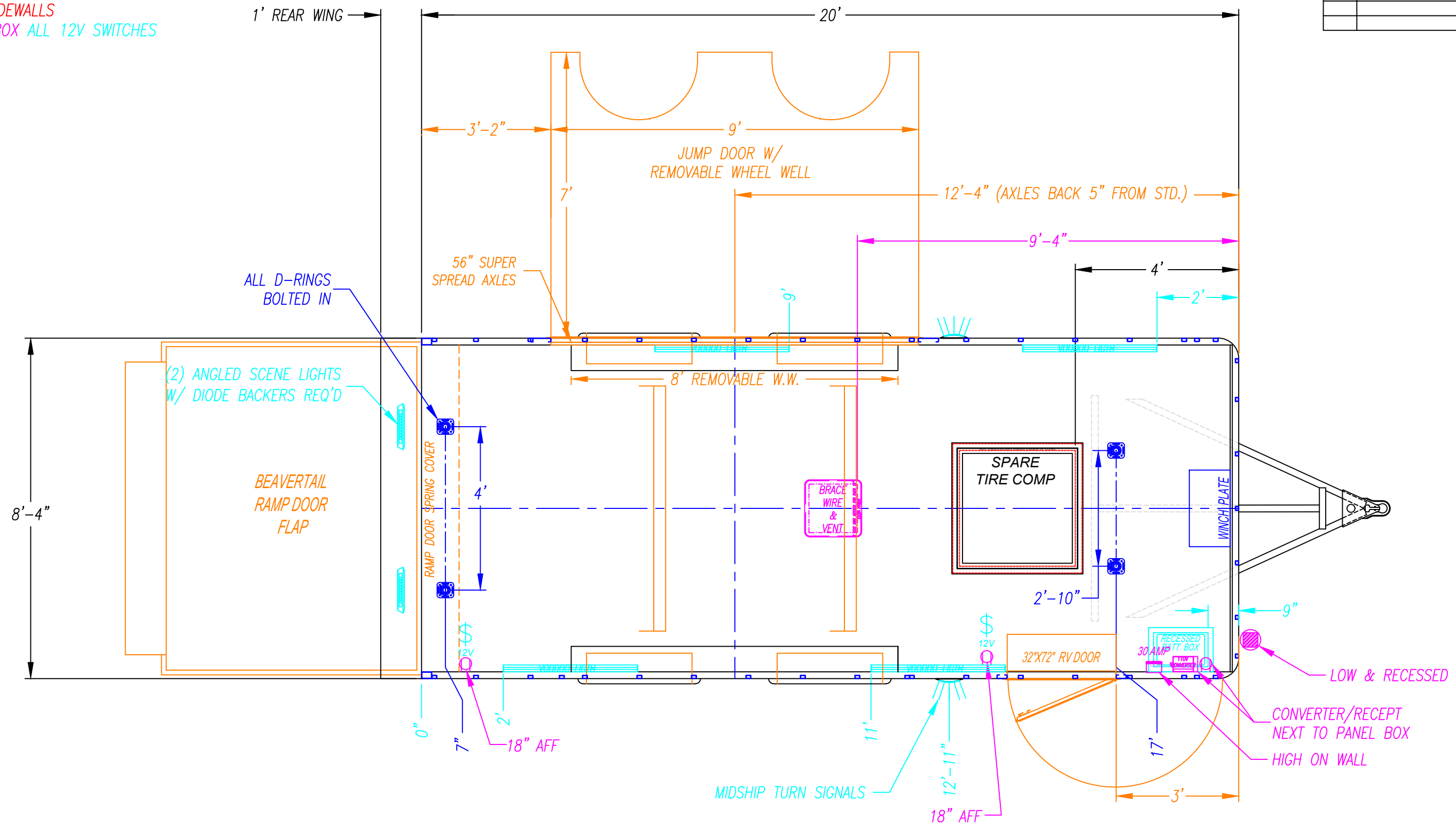


NOTES:
 - BOX OFF SIDEWALLS
 - USE 110V BOX ALL 12V SWITCHES

REVISIONS		
REV	DESCRIPTION	DATE



12V Dome Light	110V Switch	Motorbase Plug	E-Track
12V Switch	3-Way 12V Switch	Interior Recept	Electrical Box
Clearance Lights	Stereo Speaker	3-Way Switch	50 AMP Electrical Box
Backup Light	Air Inlet/Outlet	GFI Recept	150 AMP Electrical Box
			Swivel D-Ring
			HD D-Ring
			Rope Tie

NOTE: DRAWINGS ARE FOR GRAPHICAL REPRESENTATION ONLY. DIMENSIONS ARE APPROXIMATE & MAY VARY DURING CONSTRUCTION. UNITED TRAILERS LLC. IS NOT RESPONSIBLE FOR ANY CODE COMPLIANCE AND OR PERMITS, INCLUDING ELECTRICAL AND PLUMBING REQUIREMENTS. DEALER IS RESPONSIBLE FOR FINAL LAYOUT AND USE REQUIREMENTS.

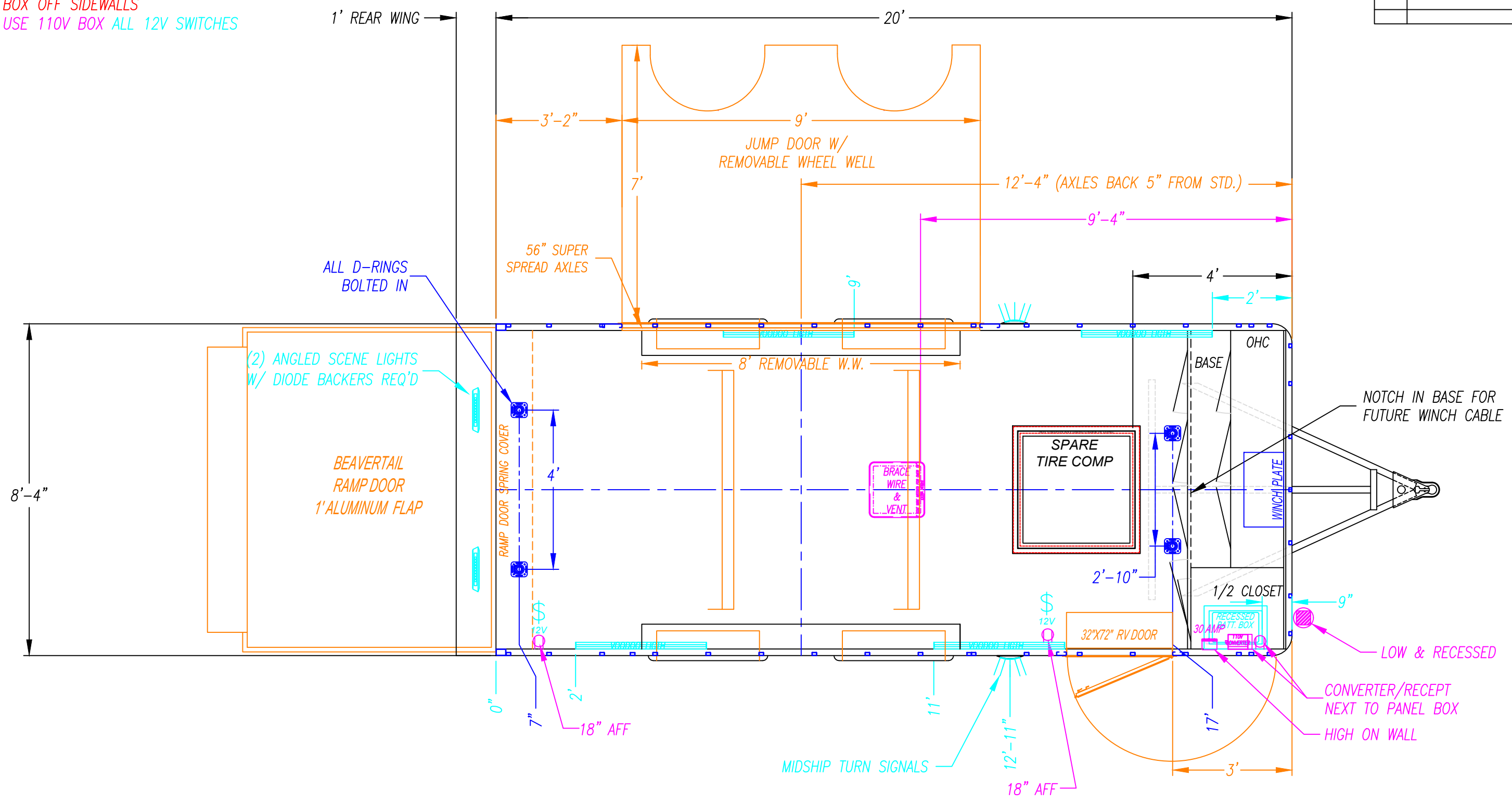


DEALER - LIMITED		ORDER NO. STOCK	
DRAWN BY - AC	CUSTOMER - UNITED TRAILERS	WIDTH - 8.5'	TITLE - FLOOR LAYOUT
DATE - 06/18/24	SHEET NO. - 1 OF 1	HEADROOM - 7'	SCALE - 3/8" = 1'
MODEL - LIM-8.520TA52	SERIAL NO.		

CUSTOMER APPROVAL: _____ DATE: _____
 DEALER APPROVAL: _____ DATE: _____

NOTES:
 - BOX OFF SIDEWALLS
 - USE 110V BOX ALL 12V SWITCHES

REVISIONS		
REV	DESCRIPTION	DATE



12V Dome Light	STEREO	110V Switch	Motorbase Plug	E-Track
12V Switch	3-Way 12V Switch	Interior Recept	Electrical Box	Swivel D-Ring
Clearance Lights	Stereo Speaker	3-Way Switch	50 AMP Electrical Box	HD D-Ring
Backup Light	Air Inlet/Outlet	GFI Recept	150 AMP Electrical Box	Rope Tie

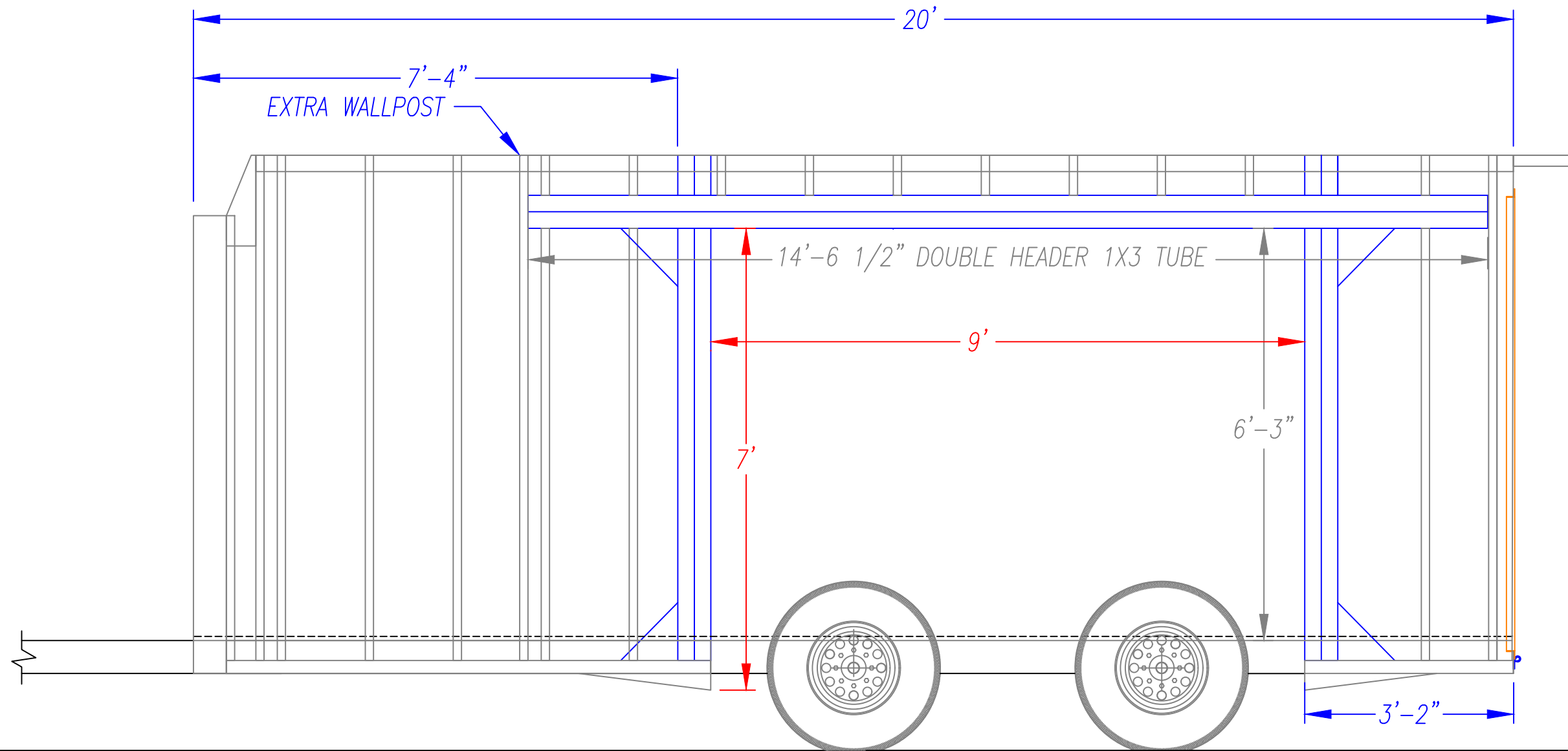
NOTE: DRAWINGS ARE FOR GRAPHICAL REPRESENTATION ONLY. DIMENSIONS ARE APPROXIMATE & MAY VARY DURING CONSTRUCTION. UNITED TRAILERS LLC. IS NOT RESPONSIBLE FOR ANY CODE COMPLIANCE AND OR PERMITS, INCLUDING ELECTRICAL AND PLUMBING REQUIREMENTS. DEALER IS RESPONSIBLE FOR FINAL LAYOUT AND USE REQUIREMENTS.



DEALER - LIMITED		ORDER NO. STOCK	
DRAWN BY - AC	CUSTOMER - UNITED TRAILERS	WIDTH - 8.5'	TITLE - FLOOR LAYOUT
DATE - 06/18/24	SHEET NO. - 1 OF 1	HEADROOM - 7'	SCALE - 3/8" = 1'
MODEL - LIM-8.520TA52	SERIAL NO.		

CUSTOMER APPROVAL: _____ DATE: _____
 DEALER APPROVAL: _____ DATE: _____

FRAME SIDE VIEW
JUMP DOOR FOCUSED



12V Dome Light	110V Switch	Motorbase Plug	E-Track
12V Switch	3-Way 12V Switch	Electrical Box	Swivel D-Ring
Clearance Lights	Stereo Speaker	3-Way Switch	HD D-Ring
Backup Light	Air Inlet/Outlet	GFI Recept	Rope Tie
150 AMP Electrical Box	150 AMP Electrical Box		

NOTE: DRAWINGS ARE FOR GRAPHICAL REPRESENTATION ONLY. DIMENSIONS ARE APPROXIMATE & MAY VARY DURING CONSTRUCTION. UNITED TRAILERS LLC. IS NOT RESPONSIBLE FOR ANY CODE COMPLIANCE AND OR PERMITS, INCLUDING ELECTRICAL AND PLUMBING REQUIREMENTS. DEALER IS RESPONSIBLE FOR FINAL LAYOUT AND USE REQUIREMENTS.

CUSTOMER APPROVAL: _____ DATE: _____

DEALER APPROVAL: _____ DATE: _____



DEALER - LIMITED		ORDER NO. STOCK	
DRAWN BY - AC	CUSTOMER - UNITED TRAILERS	WIDTH - 8.5'	TITLE - FRAME SIDEVIEW
DATE - 06/18/24	SHEET NO. - 1 OF 1	HEADROOM - 7'	SCALE - 3/8" = 1'
MODEL - LIM-8.520TA52		SERIAL NO.	