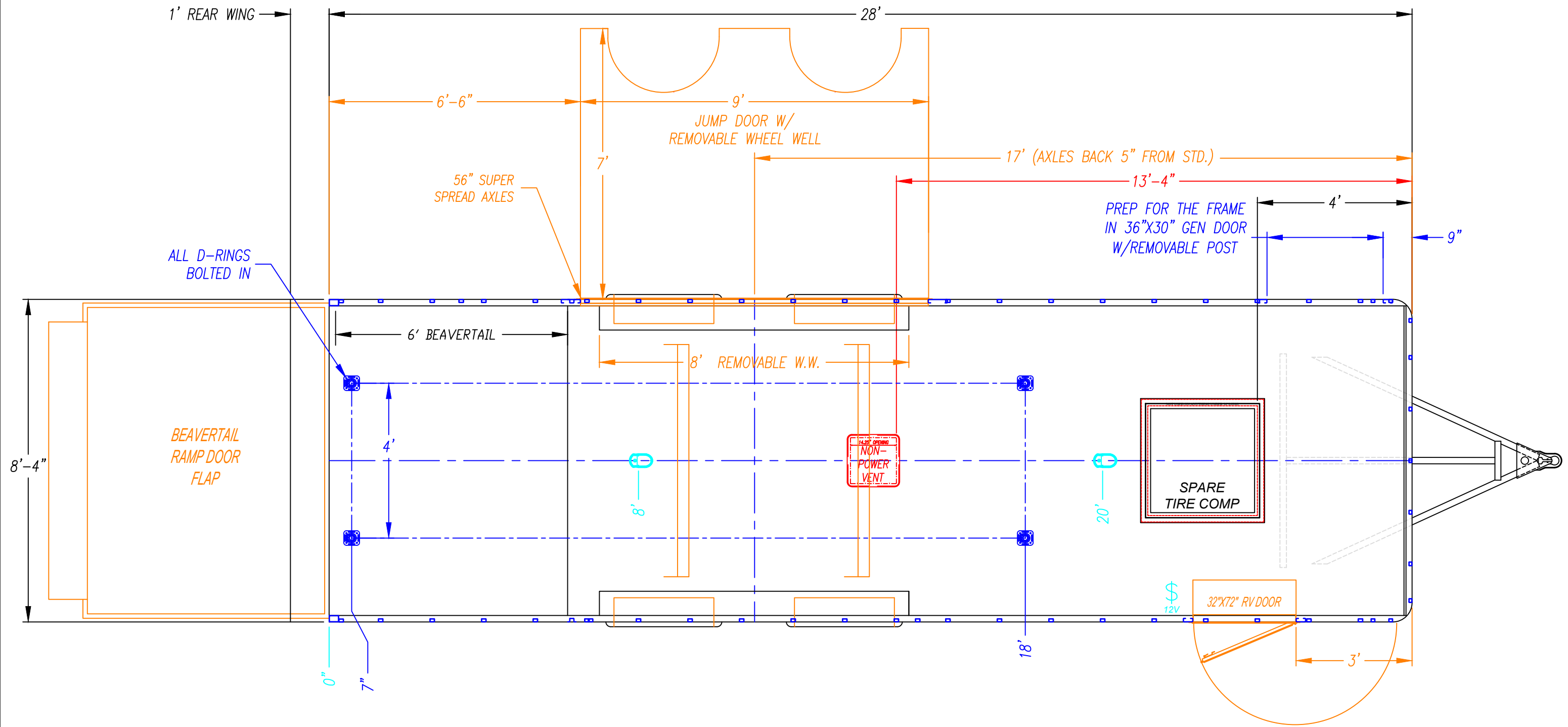


NOTES:
- BOX OF SIDEWALLS

REVISIONS		
REV	DESCRIPTION	DATE



12V Dome Light	STEREO	110V Switch	Motorbase Plug	E-Track
12V Switch	3-Way 12V Switch	Interior Recept	Electrical Box	Swivel D-Ring
Clearance Lights	Stereo Speaker	3-Way Switch	50AMP Electrical Box	HD D-Ring
Backup Light	Air Inlet/Outlet	GFI Recept	100AMP Electrical Box	Rope Tie

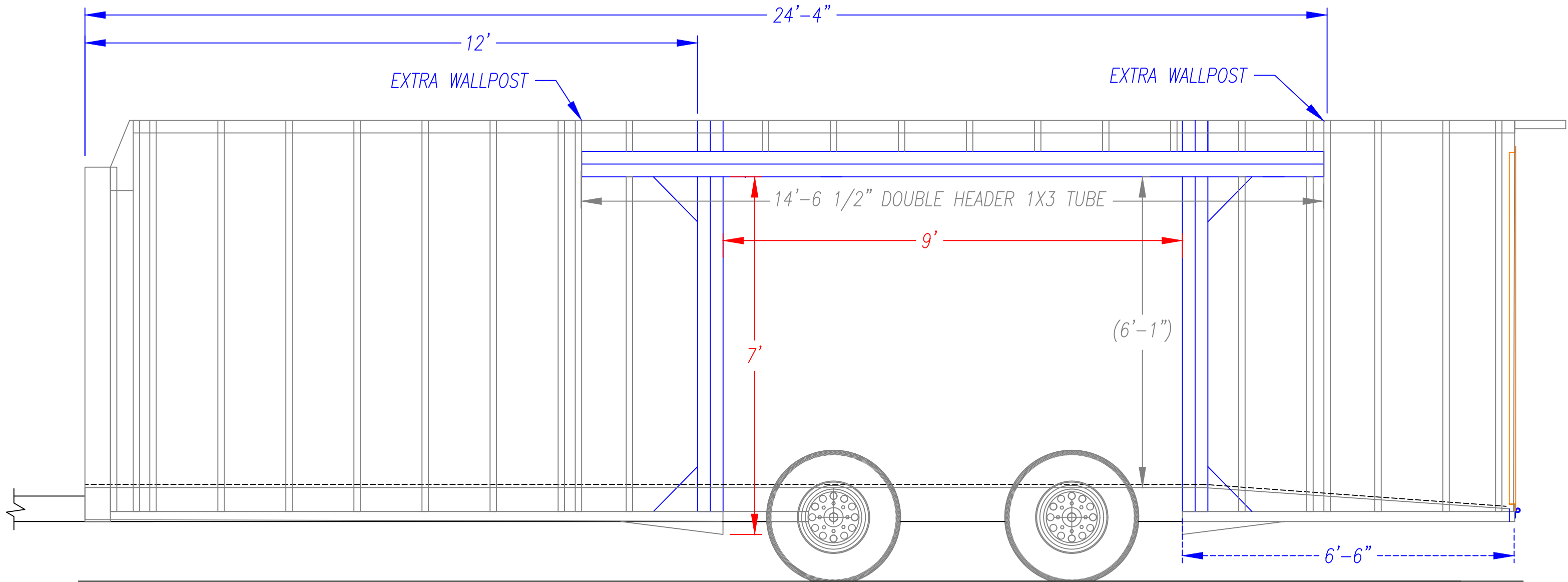
NOTE: DRAWINGS ARE FOR GRAPHICAL REPRESENTATION ONLY. DIMENSIONS ARE APPROXIMATE & MAY VARY DURING CONSTRUCTION.

CUSTOMER APPROVAL: _____ DATE: _____
 DEALER APPROVAL: _____ DATE: _____



DEALER - CLASSIC		ORDER NO.	
DRAWN BY - AC	CUSTOMER - UNITED TRAILERS	WIDTH - 8.5'	TITLE - FLOOR LAYOUT
DATE - 06/17/24	SHEET NO. - 1 OF 2	HEADROOM - 7'	SCALE - 3/8" = 1'
MODEL - CLA-8.528TA		SERIAL NO.	

FRAME SIDE VIEW
JUMP DOOR FOCUSED



12V Dome Light	110V Switch	Motorbase Plug	E-Track
12V Switch	3-Way 12V Switch	Electrical Box	Swivel D-Ring
Clearance Lights	Stereo Speaker	3-Way Switch	HD D-Ring
Backup Light	Air Inlet/Outlet	GFI Recept	Rope Tie
Interior Recept	Electrical Box	Electrical Box	Electrical Box

NOTE: DRAWINGS ARE FOR GRAPHICAL REPRESENTATION ONLY. DIMENSIONS ARE APPROXIMATE & MAY VARY DURING CONSTRUCTION.

CUSTOMER APPROVAL: _____ DATE: _____

DEALER APPROVAL: _____ DATE: _____



DEALER -	CLASSIC		ORDER NO.
DRAWN BY - AC	CUSTOMER - UNITED TRAILERS	WIDTH - 8.5'	TITLE - RS FRAME
DATE - 06/17/24	SHEET NO. - 2 OF 2	HEADROOM - 7'	SCALE - 3/8" = 1'
MODEL -	CLA-8.528TA		SERIAL NO.